

Specifications

Product name - group	Type K
Cavity widths accommodated	From 50mm to 200mm inclusive
Dimensions - openings	470mm 600mm 630mm 675mm 700mm 750mm 800mm 900mm
Bespoke options	Yes up to 3000mm opening (sectioned)
Traditional construction compatible	Yes
Timber frame construction compatible	Yes
New work applications	Yes
Retrofit applications	Yes – some applications
Masonry skin styles	No known limitation
Undulating masonry faces	Compatible
Congruent with other wall elements	No known incompatibility
Arrested water evacuation	N/A - see Design Considerations
Thermal transmission of material	Negligible - 0.15 – 0.17
Thermal transmission of insulator	0.034
Material	Polypropylene DPC
Colour	Black
Extrudes / compresses under load	No
Pack size / weight	Varies pending design
CFC	CFC Free
ODP	Zero
Regulation compliance	Satisfies Building Regulations
May be used if cavity insulation present?	Yes with compliant insulation types
CAD downloads	Yes
Design considerations	Caviweep ventilation/ evacuation may be provided at base if required

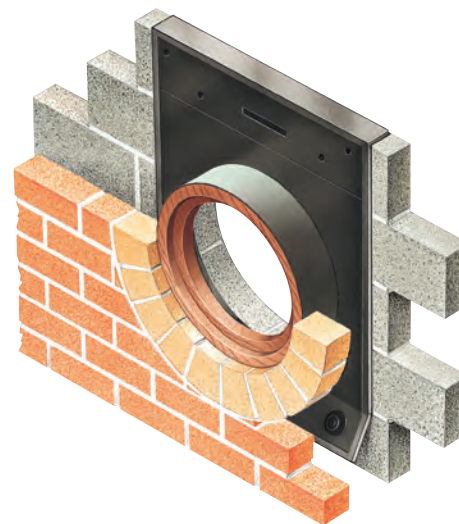
TYPE K

Circular Cavitytray for circular / bullseye openings

- Horizontal and vertical DPC in one unit
- Enveloped 360 degree protection
- Permits continuity of cavity insulation
- Frame position options
- Range of sizes
- Isolates frame edge from damp masonry
- Surround feature masonry not interrupted
- Optional thermal collar



Type K Circular
Cavitytray provides
360° protection.



Use

To correctly damp-proof circular openings.

Solution

The Type K Circular Cavitytray is manufactured from solid DPC and is supplied in one piece ready to receive the circular window. It fits snugly around the frame providing a 360 degree barrier. The circular window is immediately enveloped in a durable Cavitytray thus ensuring correct and thorough protection. The inside skin of the cavity wall and the sides of the circular frame are protected from dampness.

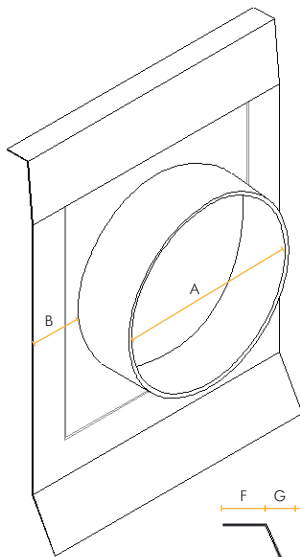
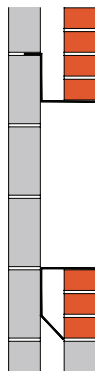
The Type K Circular Cavitytray accommodates numerous cavity widths and numerous frame positions. The Cavitytray travels downwards within the cavity until it passes the bottom of the circular frame. At this point the base projects forward so any arrested water is directed away from the inside skin.

One of the most economical locations for frame placement is mid-cavity. In this position the arrangement can also benefit a circular thermal collar. Manufactured from dimensionally stable polystyrene, the collar establishes a thermal zone around the perimeter of the entire frame.

The Type K Circular Cavitytray is available in a range of standard sizes as well as being offered on a bespoke basis.

How to Order

State frame dimension and cavity width and whether accompanying thermal collar is required. See line drawing and dimensions.



Dimensions		
	Set Dimensions	Amended Dimensions
A		
B		
C		
D		
E		
F		
G		
H		
I		



Designers' Comments

PD 6697:2010 refers to the local spell index of a wall and the need to contain provisions for appropriate resistance to rain penetration. The Type K may be used in all locations satisfying 6.2.7.2. (rain penetration) and 6.2.7.3 (categories of exposure to wind-driven rain). Exposures calculated using BS 8104 or based on BRE Report 621 satisfied.

Bill of Quantity / Specification Wording

F30 -Clause 370 Preformed Cavity Trays

Manufacturer: Cavity Trays Ltd, Yeovil Somerset BA22 8HU
Tel: 01935 474769

Type K Circular Cavitytray to be incorporated with all circular openings within cavity walls. Build in carefully observing manufacturers' instructions to ensure watertight installation. State circular opening size + cavity wall dimensions. Number _____.