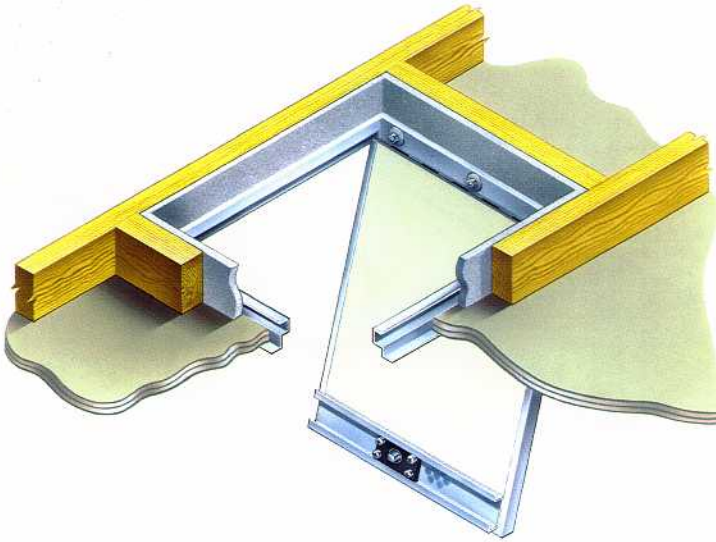


# Cavi60 / Cavi120 Type PC Lofthatch

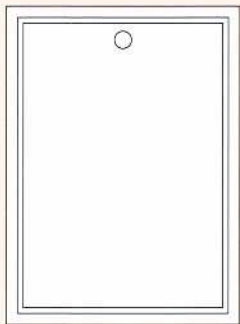
loft access door - fire rated

- Self-finished - ready to install
- One hour or two hour fire integrity
- Locking facility
- Insulation enhancement option
- Premium single door design



## problem

How to provide a loft access door and frame with accompanying protection against fire.



This illustration shows the appearance of the door face. Door opening approximately 745mm x 530mm.

## introduction

Two styles of loft hatch are manufactured with a fire integrity rating of one hour or two hours. The Cavi60 Type PC Lofthatch is prefixed with Cavi 60 to identify it achieved 60 minutes fire integrity when tested to the principles of BS 476: Pt 22:1987. The Cavi120 Type PC Lofthatch is prefixed with Cavi 120 to identify it achieved 120 minutes fire integrity when tested to the principles of BS 476: Pt 22:1987. Both options are already painted and ready for immediate building-in.

## solution

Both models of Type PC Lofthatch are intended for use where ceiling access into the roof space is required to have an accompanying defined level of fire resistance.

The downward opening door is supported on a full width zinc coated hinge that provides retention across the entire width. The door is secured in the closed position by turning an integral locking bolt accessed via a recessed locking point. When in this closed position the door is secured against integral resin-seal draught strips on all four sides. The dished steel constructed door retains a fire barrier layer to the requisite standard to promote up to two hours maximum rating protection. Both the Cavi 60 Type PC Lofthatch and the Cavi 120 Type PC Lofthatch are additionally available with an optional insulating layer - see option paragraph.

## performance

Assessed fire resistance on the basis of test conducted to BS 476 Part 22 1987. Cavi 60 is our identification name given for one hour integrity rating.

Cavi120 is our identification name given for two hour integrity rating. L1 and L2 Building Regulations. Joists should be trimmed to 775mm x 560mm see section.

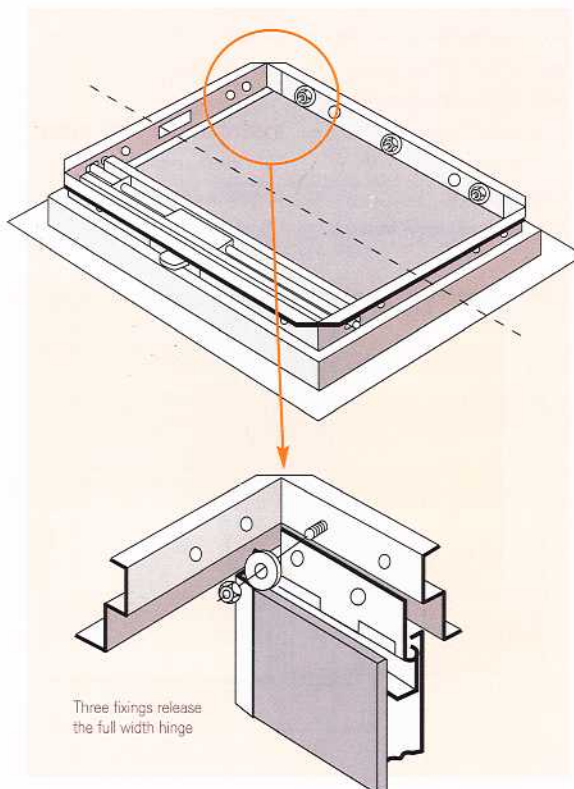
## insulation option

An optional insulating layer with an adiabatic classification of .35 is available for use with both models of Lofthatch. The pre-cut insulating layer instantly attaches and is

retained to the upper surface of the door to provide enhanced thermal benefit.

## size

Where the door sits within the frame the opening dimension is 745mm x 530mm. The frames into which the door closes incorporates a plain surround that extends 25mm over the adjacent plasterboard ceiling finish. See section for positioning and trimming views.



Three fixings release the full width hinge

## designers' comments

This single door model fits flush with the ceiling. The frame edges extend over the plastered finish to act as an architrave but being only 1.5mm thick provides an almost flush appearance. Thus the hatch and surround blend with the ceiling rather than dominate appearance.

Detachable insulating layer calculated in isolation from adjacent elements on the basis such are deemed to be adiabatic (by which no heat is gained or lost).

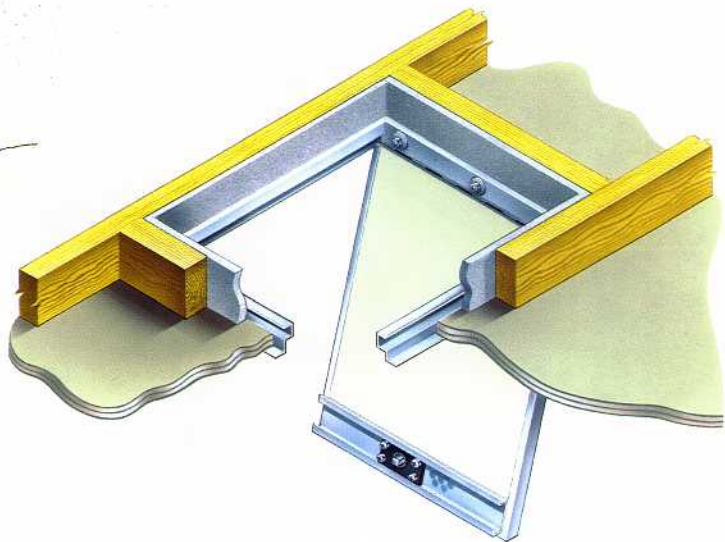
See the following references for further information of the standards engaged in the design of this product: BRE Digest 262/270, NHBC 77 and Guide to Good Practice, BS476: Part 20 and Building Regulations L1 and L2. Understanding Performance Levels by James Long Design.

Ask for a copy of the British Standard testing procedure employed so you fully understand how and the circumstances under which this product has been rated. Employers and agents have statutory duties regarding liabilities for risk assessment. Ensure your design meets all the required standard. All advice is inevitably generalised and you should ensure it is relevant to the specific circumstances in which you seek to apply it.



# Cavi60 / Cavi120 Type PC Lofthatch

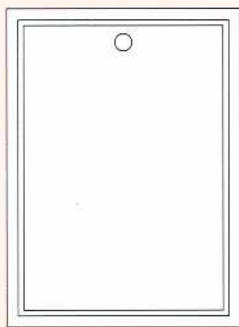
loft access door - fire rated



- Self-finished - ready to install
- One hour or two hour fire integrity
- Locking facility
- Insulation enhancement option
- Premium single door design

## problem

How to provide a loft access door and frame with accompanying protection against fire.



This illustration shows the appearance of the door face. Door opening approximately 745mm x 530mm.

## introduction

Two styles of loft hatch are manufactured with a fire integrity rating of one hour or two hours. The Cavi60 Type PC Lofthatch is prefixed with Cavi 60 to identify it achieved 60 minutes fire integrity when tested to the principles of BS 476: Pt 22:1987. The Cavi120 Type PC Lofthatch is prefixed with Cavi 120 to identify it achieved 120 minutes fire integrity when tested to the principles of BS 476: Pt 22:1987. Both options are already painted and ready for immediate building-in.

## solution

Both models of Type PC Lofthatch are intended for use where ceiling access into the roof space is required to have an accompanying defined level of fire resistance.

The downward opening door is supported on a full width zinc coated hinge that provides retention across the entire width. The door is secured in the closed position by turning an integral locking bolt accessed via a recessed locking point. When in this closed position the door is secured against integral resilient draught strips on all four sides. The dished steel constructed door retains a fire barrier layer to the requisite standard to promote up to two hours maximum rating protection. Both the Cavi 60 Type PC Lofthatch and the Cavi 120 Type PC Lofthatch are additionally available with an optional insulating layer – see option paragraph.

## performance

Assessed fire resistance on the basis of test conducted to BS 476 Part 22 1987. Cavi 60 is our identification name given for one hour integrity rating.

Cavi120 is our identification name given for two hour integrity rating. L1 and L2 Building Regulations. Joists should be trimmed to 775mm x 560mm see section.

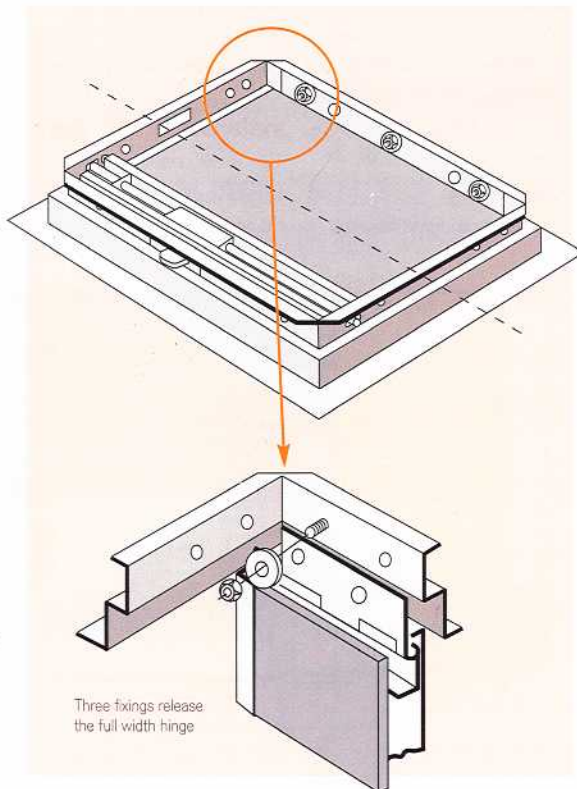
## insulation option

An optional insulating layer with an adiabatic classification of .35 is available for use with both models of Lofthatch. The pre-cut insulating layer instantly attaches and is

retained to the upper surface of the door to provide enhanced thermal benefit.

## size

Where the door sits within the frame the opening dimension is 745mm x 530mm. The frames into which the door closes incorporates a plain surround that extends 25mm over the adjacent plasterboard ceiling finish. See section for positioning and trimming views.



Three fixings release the full width hinge

## designers' comments

This single door model fits flush with the ceiling. The frame edges extend over the plastered finish to act as an architrave but being only 15mm thick provides an almost flush appearance. Thus the hatch and surround blend with the ceiling rather than dominate appearance.

Detachable Insulating layer calculated in isolation from adjacent elements on the basis such are deemed to be adiabatic (by which no heat is gained or lost).

See the following references for further information of the standards engaged in the design of this product: BRE Digest 262/270, NHBC 77 and Guide to Good Practice, BS476: Part 20 and Building Regulations L1 and L2. Understanding Performance Levels by James Long Design.

Ask for a copy of the British Standard testing procedure employed so you fully understand how and the circumstances under which this product has been rated. Employers and agents have statutory duties regarding liabilities for risk assessment. Ensure your design meets all the required standard. All advice is inevitably generalised and you should ensure it is relevant to the specific circumstances in which you seek to apply it.

